

WHAT ARE CAVITY TRAYS?

Cavity Trays are a preformed cavity flashing manufactured in sizes to suit Australian 270mm cavity walls.

Preformed cavity trays are a fully proven and accepted method of cavity flashing replacement in many countries including the United Kingdom and Europe.

Cavity Trays Australia are manufactured specifically to suit standard Australian cavities and brick sizes.

Each tray interlocks at each end therefore eliminating any onsite fabricating or joint sealing.



CAVITY TRAYS AUSTRALIA

**Easy and simple
method of replacing
cavity flashings**

CAVITY TRAYS AUSTRALIA

Leaks caused by faulty cavity flashings is a common problem in many buildings.

Retrofit cavity trays provide a much easier installation than other systems being used while reducing the time taken for the installation.

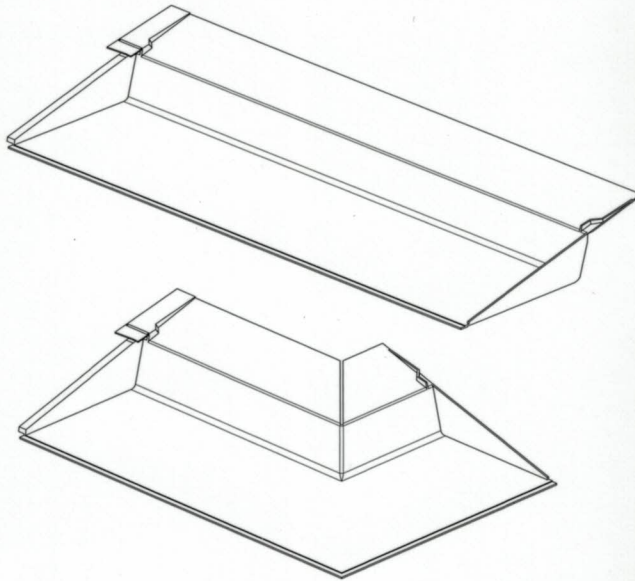
Only one course of brick needs to be removed to allow the trays to be slotted into position with the tray forming a pressure seal against the internal skin.

It is generally accepted that in either new construction or remedial work using preformed trays can elevate and stabilise build quality.



Made to suit Australian size bricks and blocks, cavity trays are the easy alternative to difficult systems often used to rectify faulty cavity flashings.

Made from high density polyethylene and tested to meet Australian Standards as a material suitable for use as a damp-proof course and flashings.



Available in straight trays, left or right internal corners and left or right external corners.

Each tray slots onto the adjacent tray so a continuous seal is assured.



Straight Tray

TWO TYPES AVAILABLE

Type 1

has a 10mm turn down along the front edge of each tray .

Type 2

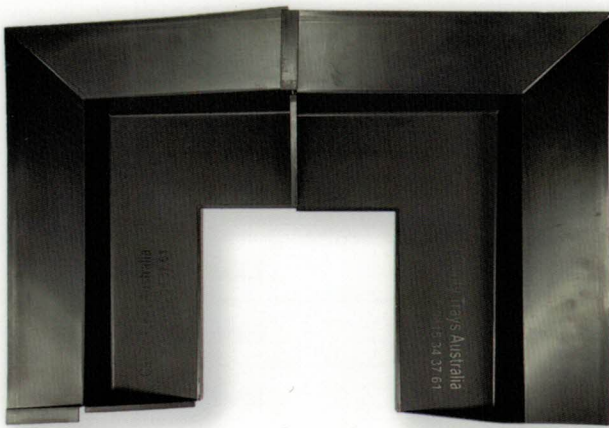
is without the turn down when a turn down is not required.

Cavity Trays Australia also supply stop ends for adjusting the length of a tray when there is a need to shorten the last tray in a run.

We also stock a range of prefabricated weepas from Weepa Products Pty Ltd.

AUSTRALIAN STANDARDS

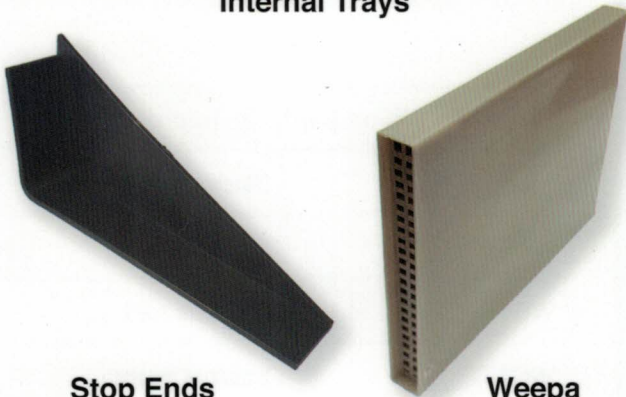
Meets the Australian Standards AS/NZS 2904:1995 Damp-proof courses and flashings.



Left

Right

Internal Trays



Stop Ends

Weepa



Left

Right

External Trays

CAVITY TRAYS AUSTRALIA PTY LTD

Address

16 Frost Road
Campbelltown NSW 2560
Australia

Phone

1300 872 977

Email

info@cavitytraysaus.com

Website

www.cavitytraysaustralia.com

**Australian Standards
AS/NZS 2904 : 1995
Damp-proof courses
and flashings.**

**ASTM D 5885-06
AS/NZS 4347.1
AS/NZS 4347.3
AS/NZS 4347.6**

Available on request.

PLACE AN ORDER

Cavity Tray Type 1 with a 10mm turn down

WCTT1ST	Straight Tray
WCTT1ER	External Right
WCTT1EL	External Left
WCTT1IR	Internal Right
WCTT1IL	Internal Left

Cavity Tray Type 2 with no turn down

WCTT2ST	Straight Tray
WCTT2ER	External Right
WCTT2EL	External Left
WCTT2IR	Internal Right
WCTT2IL	Internal Left

Cavity Tray Stop End

WCTSTOPEND	Cavity Tray Stop End
------------	----------------------

Cavity Tray Weepa

WCTWEEPA	Cavity Tray Weepa Pack of 25
----------	---------------------------------